



SYRDF5/F6

Stand Alone Fingerprint/Proximity Reader

User Manual

Ver: 01.11



SYRIS Tech. Corp, 12F, No.16, Sec. 2, Taiwan Blvd., West Dist., Taichung City 403, Taiwan
TEL : 886-4-2207-8888 FAX : 886-4-2207-9999 Email : service@syris.com

Device Shape



Notice : Communication interface is RS485

Operation Procedure

1. Add Fingerprint


1-1. Flash Master Card (for Add Fingerprint only) then the LED light of OK starts glittering and beeping. Please put the finger that you want to record the fingerprint on sensor and don't move the finger after putting it on the sensor.

1-2. When the LED light of OK stops glittering, it means the fingerprint is recorded correctly. User can move off finger.

1-3. Recording fingerprint process finished.


2. Add Card

2-1. Flash Master Card (for Add Fingerprint only) one time. When the LED light of OK starts glittering, user can flash the card that is prepared to record.

2-2. When the device starts beep, move off the card. When the LED light of  starts glittering 3 times, the process of Add Card is done.

3. Delete Fingerprint

3-1. Flash Master Card(for Delete Fingerprint only) one time.


3-2. When the light of  is glittering and beeping, put the finger that will be erased from the device on the sensor.

3-3. When the light of OK beeps one time; it means system erased the fingerprint successfully.

4. Delete Card


4-1. Flash Master Card(for Delete Fingerprint only) one time.

4-2. When the light  starts glittering, flash the card you want to erase.

4-3. When the device beeps one time, you need to move off the card (the light of OK will glittering one time). The light of  shut down, all the process will be done.

5. Add Anti-Duress Fingerprint


5-1. Please flash Master Card (for Anti-Duress use only) one time.

5-2. When the LED light of  starts glittering and beeping. Please put the finger that you want to record the fingerprint on sensor and don't move the finger after putting it on the sensor.

5-3. When the LED light of OK stops glittering, it means the fingerprint is recorded correctly. User can move off finger.

6. Delete Anti-Duress Fingerprint

6-1. Please flash Master Card (for Delete Fingerprint only) one time.

6-2. When the LED light of  starts glittering and beeping. Please put the finger that you want to erase the fingerprint on sensor and don't move the finger after putting it on the sensor.

6-3. When the LED light of OK stops glittering, it means the fingerprint is erased correctly. User can move off finger.

7.Delete all setting(Card & Fingerprint)

7-1.Please flash Master Card(for Delete Fingerprint only) four times, then the device will make a long sound “beep”. The led light of OK will light 2 mins continually.

7-2.When the light of OK turn off, it means th procedure is finished.

Note : Please do not set Duplicated Card/Fingerprint in the same device.

SYRDF5/F6 Operation description:

Motion	SYRDF5/F6 Signal	SYRDF5/F6 Status
Finger press Sensor	beep , power light is glittering	Identify fingerprint (Finger can move off).
Correct	Long beep one time, OK led glitter one time	Fingerprint is recognized and matched.
Incorrect	Long beep one time , short beep three times, error led glitter	Fingerprint is NOT recognized or the press type is not acceptable.

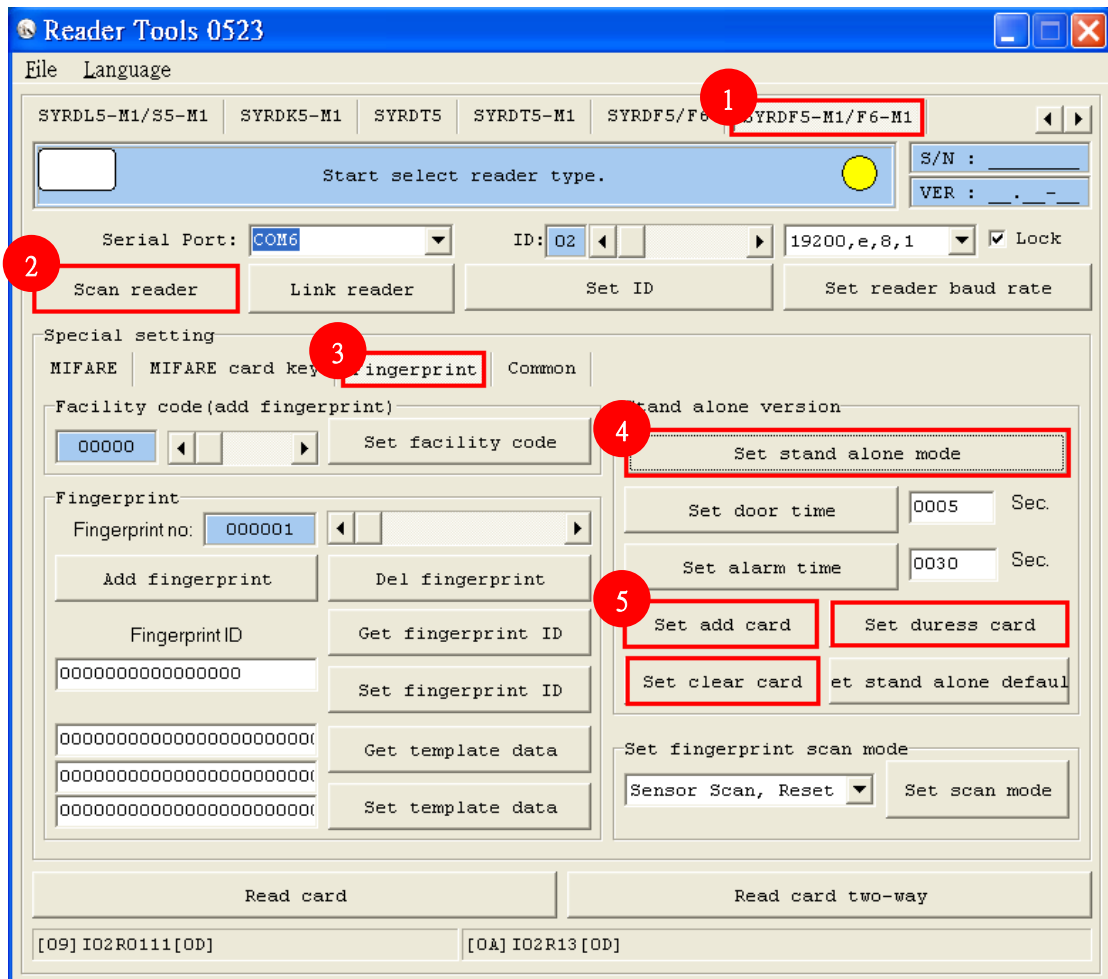
Common situation descriptions of fingerprint identify failure:

Question description	Solution
Finger moving while pressing the sensor or press approach is not correct.	Press finger via correct approach.
Finger is too wet or got an oil stain (especially in rainy day or deal with oil material).	Please clean up the finger by using towel first then press sensor.
Finger is too dry.	Please re-press the finger or make it moister.
Finger got hurt after capturing the fingerprint.	Please re-capture the fingerprint.

Emergency Response

Once the Master Card was lost or stealed, please reset a new master card via Reader_Tools. Original one will be erased by device, the level of security is high.

Please activate the software  Reader_Tools_0523.exe .



Step 1. Click the tab of SYRDF5-M1/F6-M1

Step 2. Click the button of Scan reader then the title will be shown "Reader find ok. (COM : # com port number)"

Step 3. Click Fingerprint

Step 4. Click Set stand alone mode

Step 5. Click the options depend on your request

5-1. Setup Master Card for adding fingerprint only

5-2. Setup Master Card for deleting fingerprint only

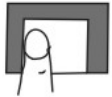
5-3. Setup Master Card for adding anti-duress fingerprint only

Step 6. Select the function you want to activate then flash card.

Incorrect Fingerprint enrollment :



1 \ Finger is not touch the sensor fully.



2 \ Finger is not touch the center of sensor.

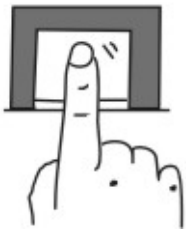


3 \ Finger is not pressed with full strength.



4 \ Finger press is out of valid scop of sensor.

Correct Fingerprint enrollment :



Special notices on enrolling fingerprint

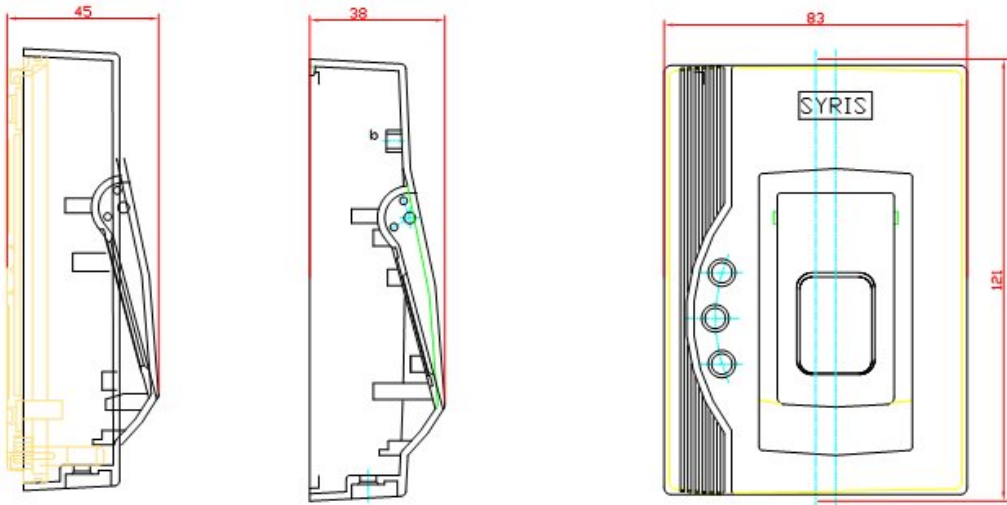
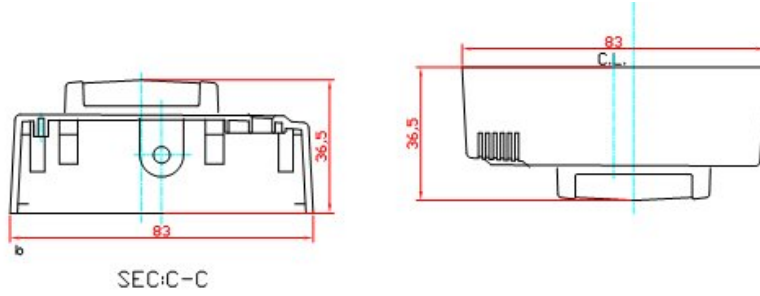
In order to maintain the successful rate of identify, please keep notice as following description :



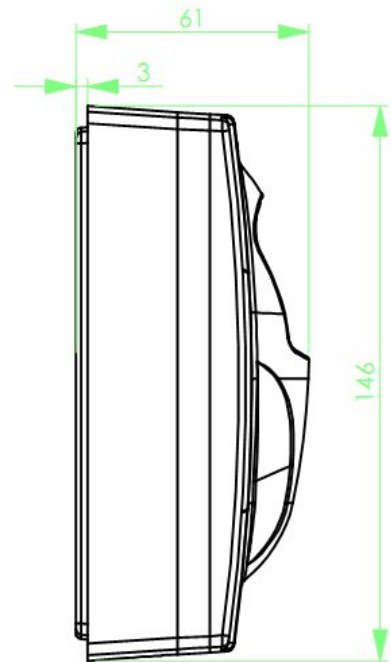
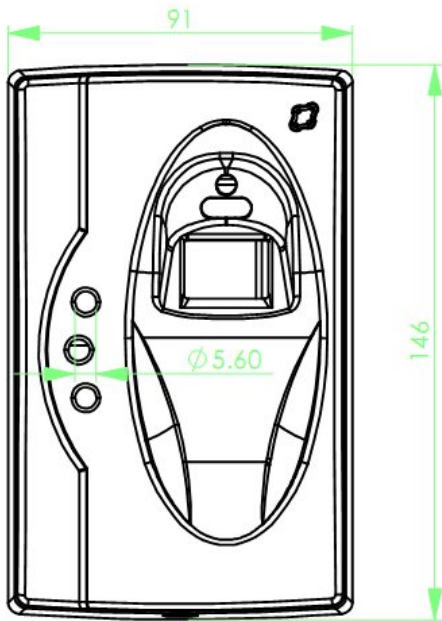
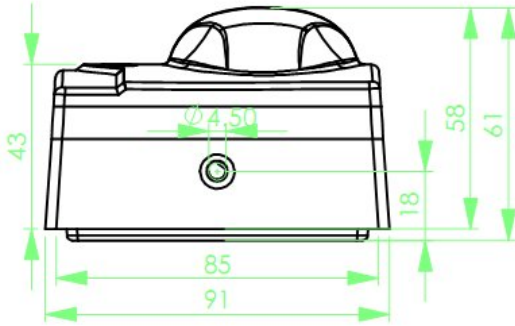
The approach of catching fingerprint is the same as the picture.

The system will identify fingerprint via template that is captured from the center of the finger then spread to full fingerprint.

SYRDF5 MOUNTING PLATE



SYRDF6 MOUNTING PLATE



SYRDF5/F6 Specific

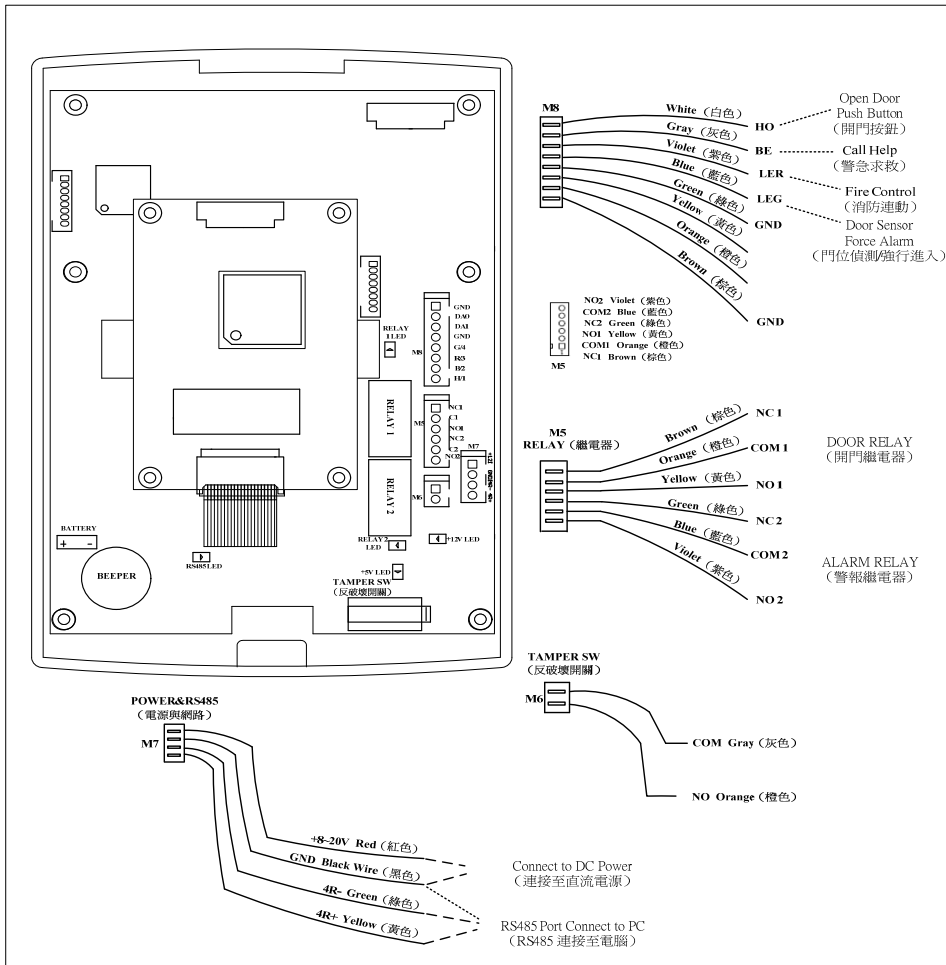
Items / Specs	SYRDF5/SYRDF6
Fingerprint / Card	9,000 / 500
Fingerprint Sensor	Touch Chip /Optics-based
Card Type (Transponder)	SYRIS Card Mifare1 13.56MHz
Read range	3cm~7cm
Device ID	1 – 99
Card read time	0.2 sec (typical)
Identify time(1000 enrolled)/(Fast mode)	Distinguish time: 1~3 sec Distinguish wrong time : 1~6sec
Identify time(9,000 enrolled)/(Fast mode)	Distinguish time: 1~6 sec Distinguish wrong time : 6~12 sec
FAR	< 0.001 % (System grants admission/access to an unauthorized person.)
FRR	< 0.01 % (System denies admission/access to an authorized person.)
Indicator	3 LED
Communication Interface	RS485 formats
Communication Speed	19,200 bps (4,800·9,600·19,200·38,400·57,600·115,200·230,400)
Digital Output	2 Relay(Door/Anti-duress)
Color	Gray
Operation Temperature	-20 °C to 55 °C
Storage Temperature	-30 °C to 70 °C
Power Supply	8V to 20V DC
Dimensions (mm)	83W x 121H x 45D / 91 W x 146 H x 61 D

* This specification is preliminary and is subject to change without prior notice.

* Reading range is subject to card type, site interference and antenna specs for more information.

SYRDF5 WIRING DIAGRAM

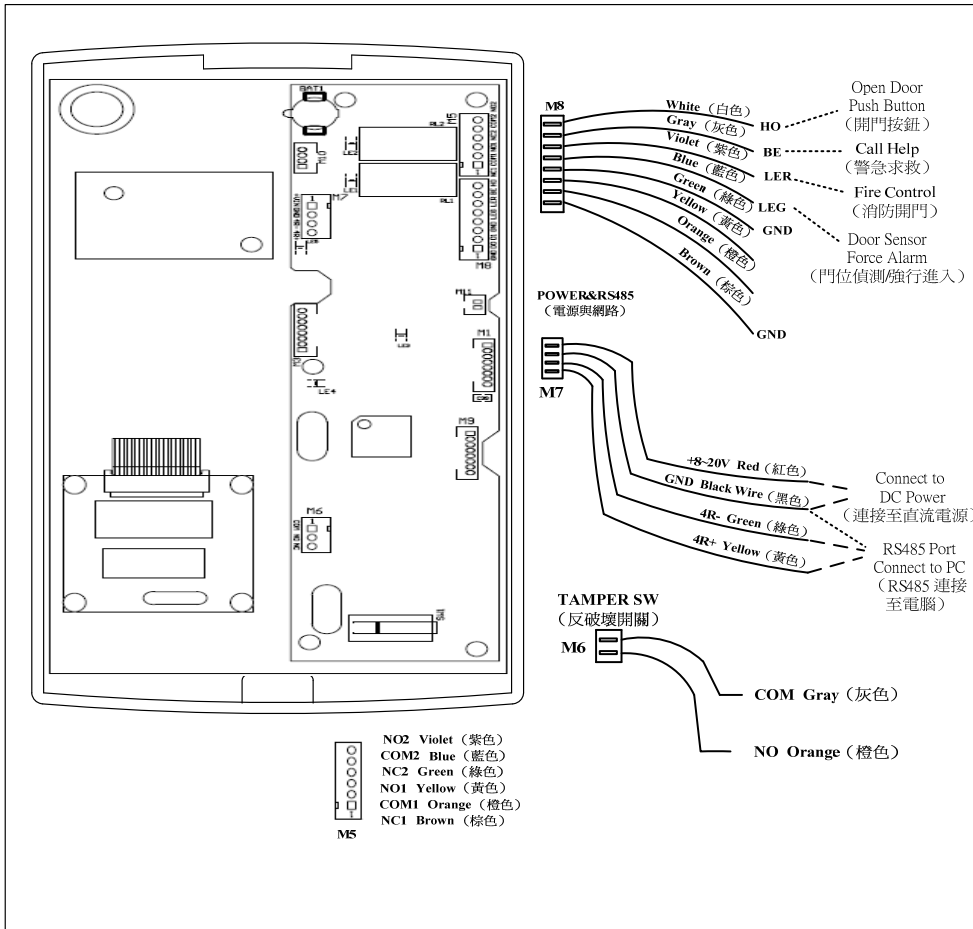
- * Power supply should be regulated linear power supply.
- * Your system must have a single earth ground point.
- * The shield must run continuous throughout the installation.



[<Enlarge>](#)

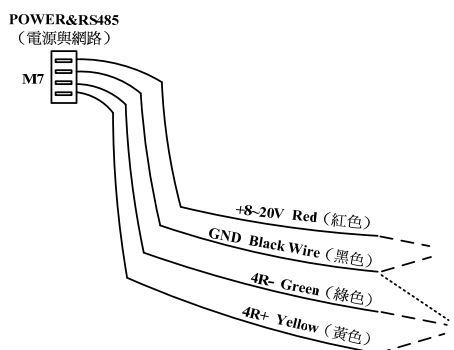
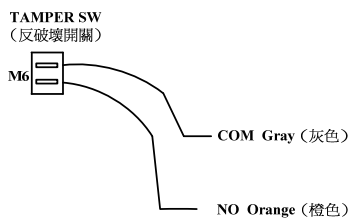
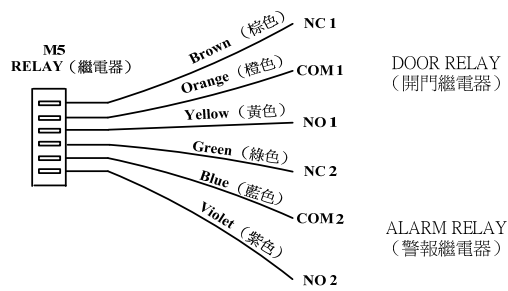
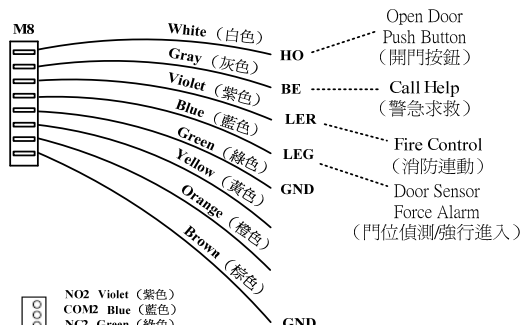
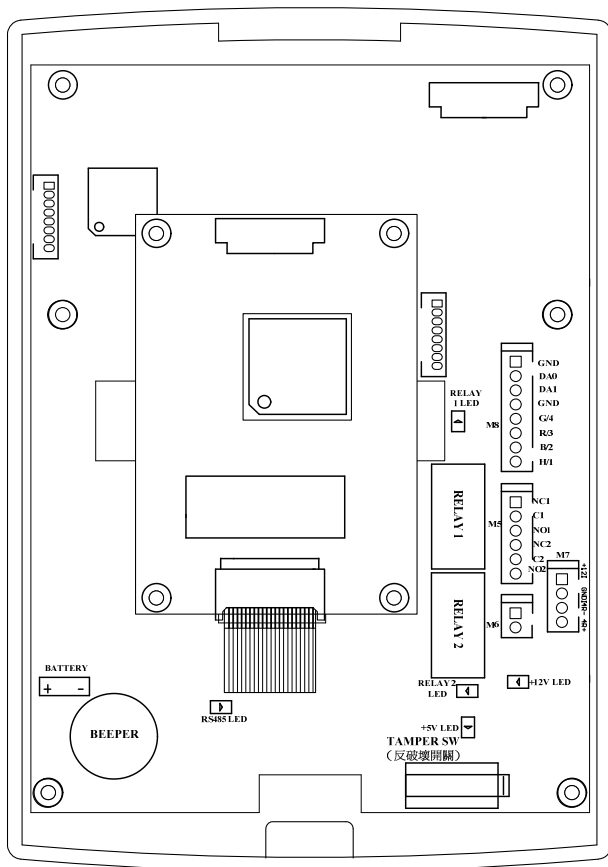
SYRDF6 WIRING DIAGRAM

- * Power supply should be regulated linear power supply.
- * Your system must have a single earth ground point.
- * The shield must run continuous throughout the installation.



[<Enlarge>](#)

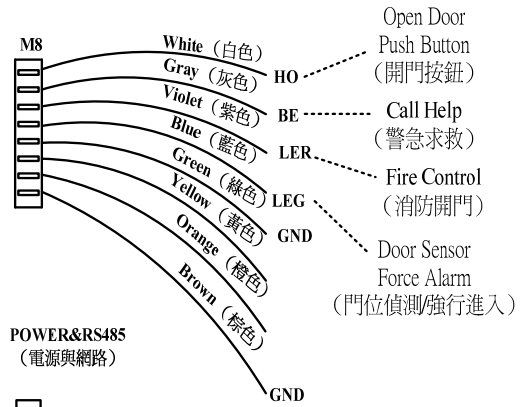
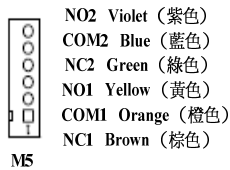
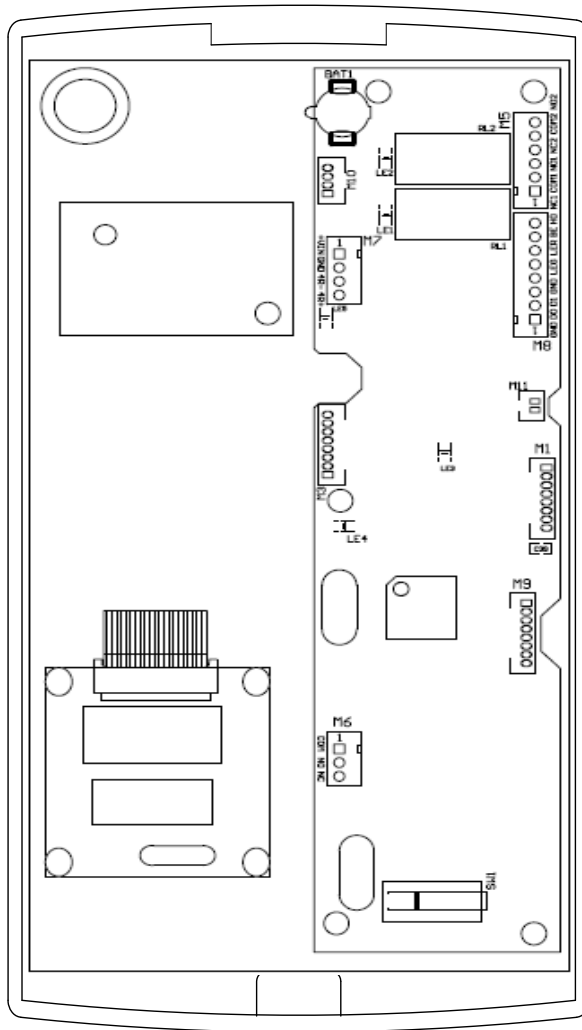
SYRDF5 WIRING DIAGRAM



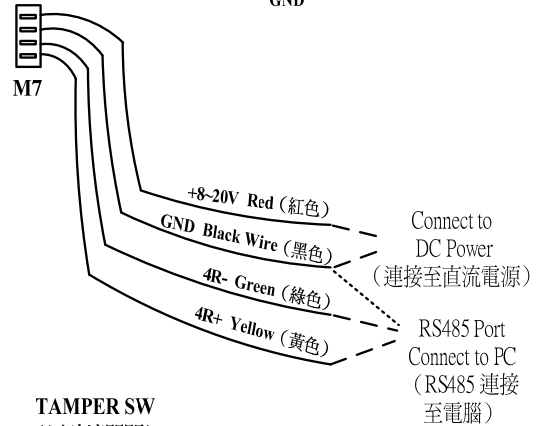
Connect to DC Power
(連接至直流電源)

RS485 Port Connect to PC
(RS485 連接至電腦)

SYRDF6 WIRING DIAGRAM



POWER&RS485
(電源與網路)



TAMPER SW
(反破壞開關)

